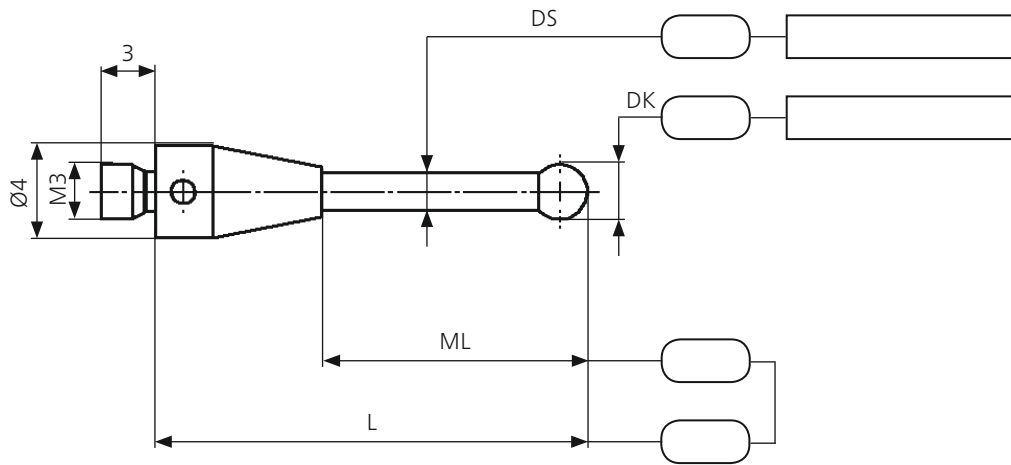


Styli with thread M3 / inquiry

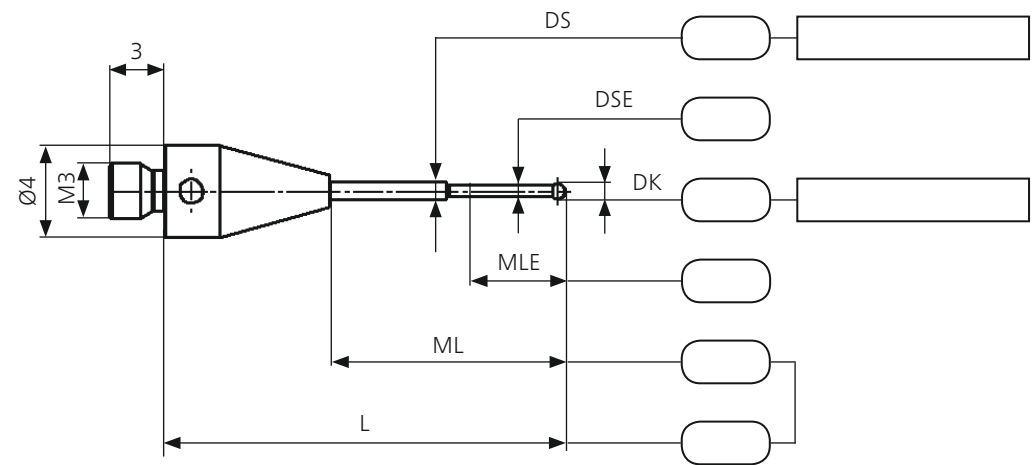
Straight shaft

Quantity: ____



Stepped shaft

Quantity: ____



Company:

Department:

Name, First:

Address:

Zip / City:

Phone:

Fax:

E-Mail:

Fax inquiry:

Please fill in the specifications into the right fields. Mark the desired ball and shaft material. Sign the desired quantity into the fields on the top of the page. Print the page.

Send the fax inquiry to:
+49 7361 6336 29



We make it visible.