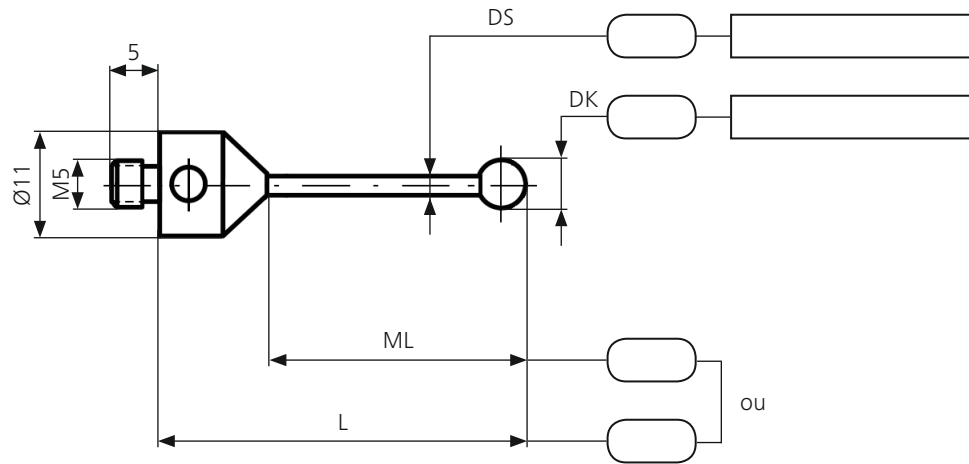


## Styli with thread M5 / inquiry

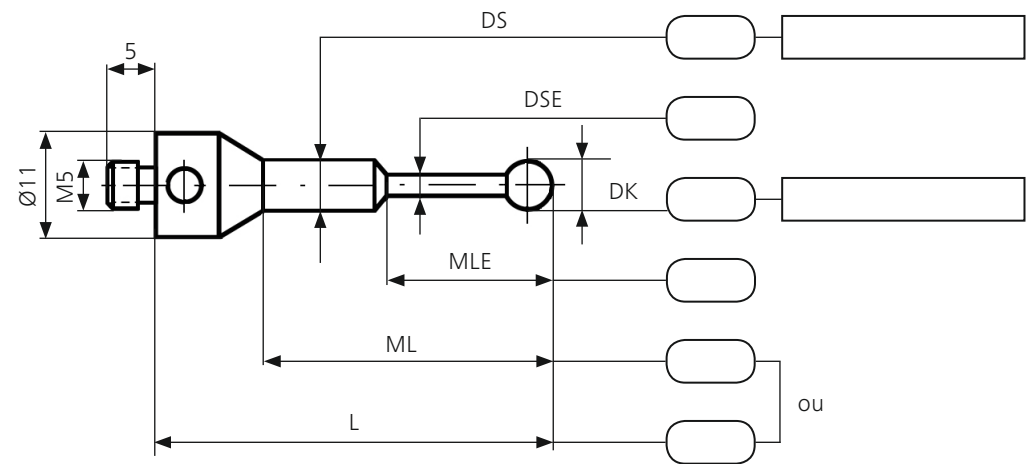
Straight shaft

Quantity: \_\_\_\_



Stepped shaft

Quantity: \_\_\_\_



Company:

Department:

Name, First:

Address:

Zip / City:

Phone:

Fax:

E-Mail:

**Fax inquiry:**

Please fill in the specifications into the right fields. Mark the desired ball and shaft material. Sign the desired quantity into the fields on the top of the page. Print the page.

Send the fax inquiry to:  
**+49 7361 6336 29**



We make it visible.